

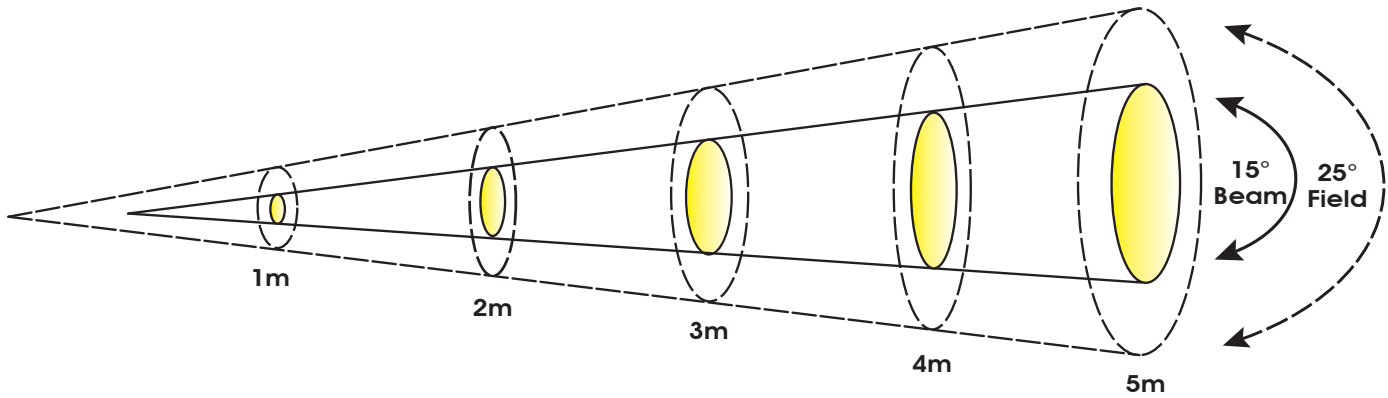
SIXPAR 300 IP™

SKU# SIX025



Photometric Data

Specifications are subject to change without any prior written notice.



	m		ft		m		ft		m		ft		m		ft	
Distance	1	3.3	2	6.6	3	9.8	4	13.1	5	16.4						
15° Beam Diameter	0.4	1.3	0.64	2.1	0.85	2.8	1.05	3.4	1.32	4.3						
25° Field Diameter	0.45	1.5	0.88	2.9	1.33	4.4	1.77	5.8	2.21	7.3						
	lux	fc	lux	fc	lux	fc	lux	fc	lux	fc						
RED LEDs	4,750	441	1,308	122	430	40	315	29	199	18						
GREEN LEDs	8,400	780	2,170	202	1,000	93	554	51	360	33						
BLUE LEDs	9,520	884	2,490	231	1,185	110	662	61	425	39						
WHITE LEDs	10,860	1,009	2,930	272	1,363	127	753	70	491	46						
AMBER LEDs	3,130	291	823	76	351	33	197	18	127	12						
UV LEDs	1,920	178	510	47	240	22	131	12	85	8						
FULL ON	24,500	2,276	8,500	790	3,950	367	2,150	200	1,350	125						

ELATION | SIXPAR 300 IP™ | Photometric Data

Elation Professional USA | 6122 S. Eastern Ave. | Los Angeles, CA. 90040
 323-582-3322 | 323-832-9142 fax | www.elationlighting.com | info@elationlighting.com

Elation Professional B.V. | Junostraat 2 | 6468 EW Kerkrade, Netherlands
 +31 45 546 85 66 | +31 45 546 85 96 fax | www.elationlighting.eu | info@elationlighting.eu