

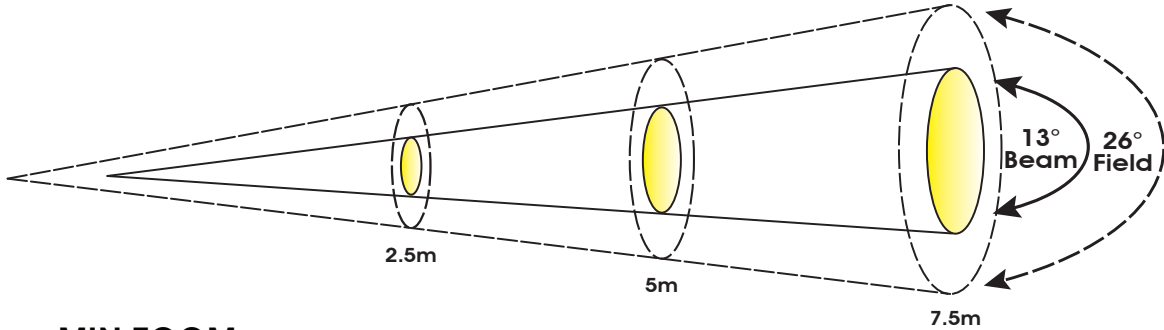
# RAYZOR Q12 ZOOM™

SKU# RAY524



## Photometric Data

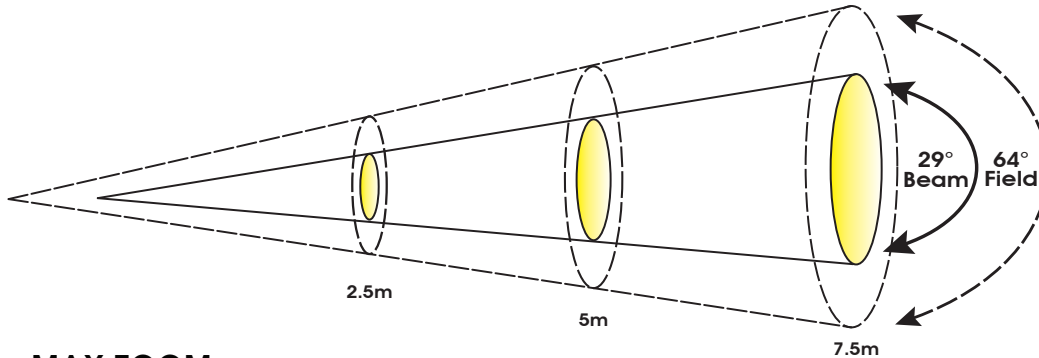
Specifications are subject to change without any prior written notice.



### MIN ZOOM

	2.5m		5m		7.5m	
Distance	m	ft	m	ft	m	ft
13° Beam Diameter	0.55	1.8	1.1	3.6	1.65	5.4
26° Field Diameter	1.15	3.8	2.3	7.5	3.45	11.3

Photometrics	lux	fc	lux	fc	lux	fc
RED LEDs	1,150	107	345	32	153	14
GREEN LEDs	2,650	246	730	68	327	30
BLUE LEDs	250	23	73	7	36	3
WHITE LEDs	3,200	297	871	81	390	36
FULL ON	5,680	528	1,477	137	660	61



### MAX ZOOM

	2.5m		5m		7.5m	
Distance	m	ft	m	ft	m	ft
29° Beam Diameter	1.3	4.3	2.6	8.5	3.9	12.8
64° Field Diameter	3.1	10.2	6.2	20.3	9.3	30.5

Photometrics	lux	fc	lux	fc	lux	fc
RED LEDs	173	16	45	4	21	2
GREEN LEDs	389	36	101	9	48	4
BLUE LEDs	43	4	11	1	6	1
WHITE LEDs	470	44	120	11	57	5
FULL ON	806	75	210	20	99	9

Elation Professional USA | 6122 S. Eastern Ave. | Los Angeles, CA. 90040  
 323-582-3322 | 323-832-9142 fax | www.elationlighting.com | info@elationlighting.com

Elation Professional B.V. | Junostraat 2 | 6468 EW Kerkrade, Netherlands  
 +31 45 546 85 66 | +31 45 546 85 96 fax | www.elationlighting.eu | info@elationlighting.eu